

Viper Select Gallonage (SG) Series

Select Gallonage: Four settings @ 100 PSI & Flush

Swivel NST or NPSH except on 2 1/2"

**Weights: 3.4lbs(1560), 4.3lbs(3012/7515), 6.5lbs(9520)
7.3lbs(9520-2 1/2"/12250)**

**Lengths: 7.87"(1560), 8.85"(3012/7515), 11.2"(9520),
12.8"9520-2 1/2"/12250)**

Made of extruded E-Lite alloy & Hard anodized

All Viper models are individually tested

(Low Pressure also available on most models)

SG9520



SG1560



SG9520-2 1/2"



SG3012



SG12250



SG7515



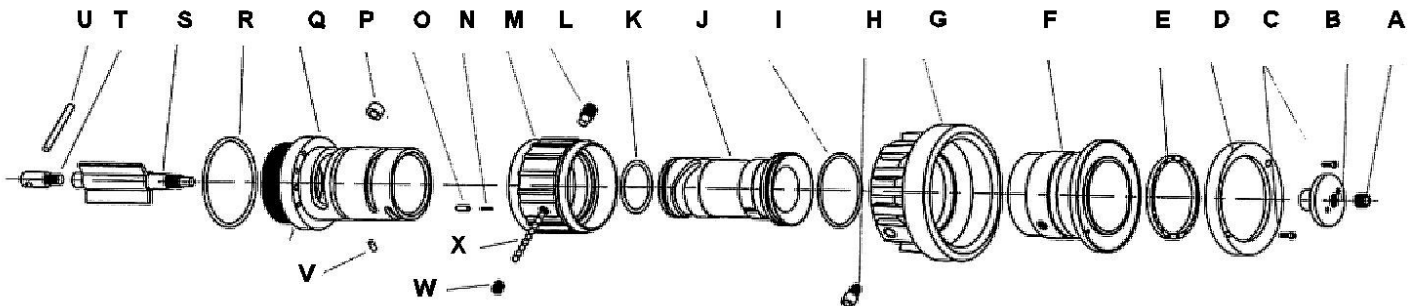
| MODEL | NOZZLE PRESSURE (psi) | NOZZLE FLOW (gpm) | STREAM SETTING | EFFECTIVE REACH |
|---------|-----------------------|-------------------|----------------|-----------------|
| SG1560 | 75 | 13 | SS | 59 |
| | | 26 | SS | 82 |
| | | 43 | SS | 92 |
| | | 52 | SS | 102 |
| | 100 | 15 | SS | 62 |
| | | 30 | SS | 85 |
| | | 50 | SS | 98 |
| | | 60 | SS | 108 |
| | 125 | 17 | SS | 69 |
| | | 34 | SS | 98 |
| | | 56 | SS | 105 |
| | | 67 | SS | 108 |
| SG3012 | 75 | 26 | SS | 75 |
| | | 52 | SS | 105 |
| | | 82 | SS | 125 |
| | | 108 | SS | 131 |
| | 100 | 30 | SS | 85 |
| | | 60 | SS | 112 |
| | | 95 | SS | 131 |
| | | 125 | SS | 141 |
| | 125 | 34 | SS | 92 |
| | | 67 | SS | 118 |
| | | 106 | SS | 138 |
| | | 140 | SS | 148 |
| SG7515 | 75 | 65 | SS | 112 |
| | | 87 | SS | 121 |
| | | 108 | SS | 135 |
| | | 130 | SS | 138 |
| | 100 | 75 | SS | 118 |
| | | 100 | SS | 138 |
| | | 125 | SS | 114 |
| | | 150 | SS | 148 |
| | 125 | 84 | SS | 125 |
| | | 112 | SS | 141 |
| | | 140 | SS | 151 |
| | | 168 | SS | 157 |
| SG9520 | 75 | 82 | SS | 121 |
| | | 108 | SS | 131 |
| | | 130 | SS | 141 |
| | | 173 | SS | 144 |
| | 100 | 95 | SS | 128 |
| | | 125 | SS | 141 |
| | | 150 | SS | 148 |
| | | 200 | SS | 154 |
| | 125 | 106 | SS | 128 |
| | | 140 | SS | 141 |
| | | 168 | SS | 144 |
| | | 224 | SS | 161 |
| SG12250 | 75 | 94 | SS | 125 |
| | | 113 | SS | 135 |
| | | 150 | SS | 144 |
| | | 188 | SS | 148 |
| | 100 | 125 | SS | 131 |
| | | 150 | SS | 144 |
| | | 200 | SS | 151 |
| | | 250 | SS | 157 |
| | 125 | 140 | SS | 135 |
| | | 168 | SS | 144 |
| | | 224 | SS | 154 |
| | | 280 | SS | 164 |

VIPER SG9520/12250



| SG9520 AND SG12250 BOM | | | |
|------------------------|----------------------|--------------------|----------|
| REFERENCE | PART NAME | PART # | QUANTITY |
| A | SPINDLE SET PIN | V-SETPIN-9520 | 1 |
| B | SPINDLE HEAD | V-SPNDLHD-9520 | 1 |
| C | RET. RING SET PIN | V-SETPIN-RR-9520 | 2 |
| D | RETAINER RING | V-RTNRRNG-9520 | 1 |
| E | SPINNING TEETH | V-TEETH-9520 | 1 |
| F | OUTER BARREL | V-OUTRBRRL-9520 | 1 |
| G | BUMPER | V- BUMPER-9520 | 1 |
| H | OUTER BARREL SET PIN | V-SETPIN-OB-9520 | 1 |
| I | INNER BARREL | V-ORING-IBL-9520 | 1 |
| J | INNER BARREL | V-INNERBARREL-9520 | 1 |
| K | INNER BARREL | V-ORING-IBS-9520 | 1 |
| L | SELECTOR SET PIN | V-SETPIN-SLCT-9520 | 1 |
| M | FLOW REGULATOR | V-FLOWREG-9520 | 1 |
| N | CLICK CYLINDER | V-CLKCYL-9520 | 1 |
| O | CLICK SPRING | V-CLKSPRING-3012 | 1 |
| P | BUSHING | V-BSHING-9520 | 1 |
| Q | NOZZLE BARREL | V-NZLBARREL-9520 | 1 |
| R | NOZZLE BARREL | V-ORING-9520 | 1 |
| S | SPINDLE SHAFT | V-SPNDLSHFT-9520 | 1 |
| T | | | |
| U | | | |
| V | FLOW REG. GUIDE | V-FLREGGUIDE-9520 | 1 |
| W | BEARING SET PIN | V-SETPIN-9520 | 1 |
| X | BALL BEARINGS | V-BEARINGS-3012 | 32 |

SG9520/12250 TIP



| VB9520 and VB9520-2.5 BOM (VALVE) | | | |
|-----------------------------------|--------------------------|--------------------|----------|
| REFERENCE | PART NAME | PART # | QUANTITY |
| 1 | 1.5" GASKET | GASKET_15 | 1 |
| 1a | 2.5" GASKET | GASKET_25 | 1 |
| 2 | 1.5" SWIVEL (LARGE) | V-1.5" SWIVEL-9520 | 1 |
| 2a | 2.5" SWIVEL | V-2.5" SWIVEL-9520 | 1 |
| 3 | SWIVEL O-RING | V-ORING-SW-9520 | 1 |
| 4 | BALL | V-BALL-9520 | 1 |
| 5 | PISTOL GRIP | V-PG15V | 1 |
| 6 | BALL LOCATOR (2 PIECES) | V-BALLOCAL-9520 | 1 |
| 7 | | | |
| 8 | PISTOL GRIP SET PIN | V-SETPIN-PG | 1 |
| 9 | VALVE BODY | VLVBDY-9520 | 1 |
| 10 | SEAT RETAINER (3 PIECES) | V-SEATRTNR-9520 | 1 |
| 11 | | | |
| 12 | | | |
| 13 | BALL ACTUATOR (2 PEICES) | V-BALLACT-9520 | 1 |
| 14 | | | |
| 15 | PAN HEAD COVER | V-PANHEAD-9520 | 1 |
| 16 | SWIVEL SET PIN | V-SETPIN-9520 | 1 |
| 17 | BALL BEARINGS | V-BEARINGS-9520 | 32 |
| 18 | HANDLE (BAIL) | V-HANDLE-9520 | 1 |

| VB9520 and VB9520-2.5 AVAILABLE KITS | | |
|--------------------------------------|---|--|
| KIT# | KIT Name | PARTS CONTAINED |
| VNRK-9520 | VIPER NOZZLE REPAIR KIT SG9520 OR SG12250 | A,B,C,D,E,G,H,I,K,L,N,O,P,R,S,T,U,V,W,X 1,1a,3,4,5,6,7,8,10,11,12,13,14,15,16,17,18 |
| VVRK-9520 (*) | Valve Repair Kit Lg. | 1,1a,3,4,6,7,10,11,12,13,14,15,16,17,18 |
| VBSC-9520 | Ball & Seat Combo Lg. | 4,10,11,12 |
| V-HH5-9520 | Handle Hardware Lg. | 6,7,13,14,15 |
| V-SWKIT9520 | Swivel Kit 1" Lg. | 1,3,16,17 |
| V-SWKIT9520-2.5 | Swivel Kit 1.5" Lg. | 1a,3,16,17 |

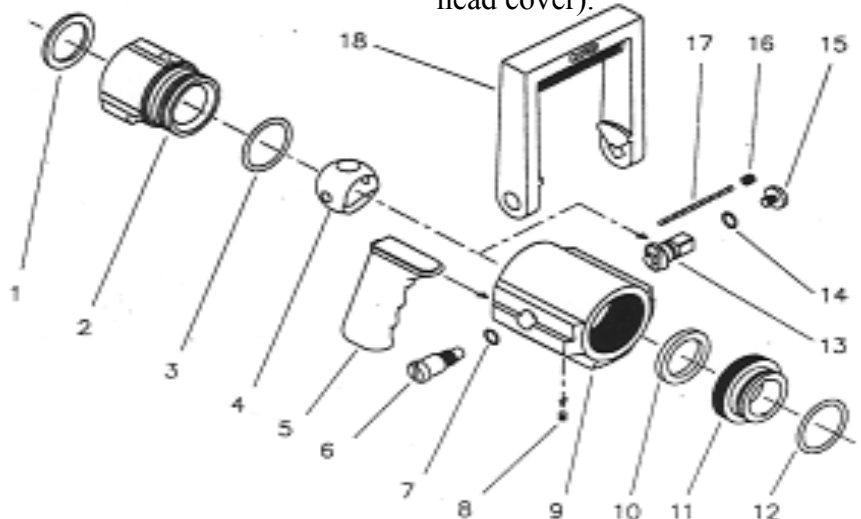
DANGER

**PLEASE BE RESPONSIBLE!
PLEASE BE CAREFUL!**

THE USER OF THIS EQUIPMENT IS PERSONALLY RESPONSIBLE FOR THE FOLLOWING:

1. You need to know and understand that Fire-fighting and Emergency response is dangerous and proper training is needed.
2. You need to be physically fit and skillful in the use of any equipment that you may need to use.
3. You need to know that your equipment is in proper working order.
4. You need to know carelessness or negligence may result in injury or death.

**PLEASE BE RESPONSIBLE!
PLEASE BE CAREFUL!**



SHUTOFF USE:

- Open and close the valve slowly to reduce risk of water hammer.
- Pull the bail handle toward the swivel to OPEN the valve.
- Push the bail handle toward the tip of the nozzle to CLOSE the valve.

TIP USE:

- The Gallonage selector ring indicates the flow in gallons per minute at 100 psi.
- Flush setting is made to discharge obstructions from the nozzle while flowing water.
- Rotate the rubber bumper on the end to select spray pattern.

Maintenance:

- Test nozzle before putting into service.
- Clean nozzle by flushing with water after use.
- Use non-detergent soap to clean dirt from the exterior to reduce wear.
- Regularly check the bail handle screws that they are tight. If taken out use medium thread locker on the threads before reassembly.
- Periodically service your nozzle or have your fire equipment dealer service it.
- Normally serviced parts are the: Ball, Seat assembly, Spinning teeth, and the handle hardware (Ball locator screw, Actuator, Pan head cover).